



WORLD'S BEST
ALLOY BULLBARS

East Coast Bullbars (ECB Pty Ltd)

Tel: 07 3897 5700

Fax: 07 3283 1168

ecb@ecb.com.au www.ecb.com.au

29 Snook St
Clontarf QLD 4019
Australia

Po Box 122
Margate QLD 4019
Australia

BHU71SY

REPLACES: 00.00.00
REVISED: 04.07.16

FITTING INSTRUCTIONS

HYUNDAI ILOAD 16 on BIG TUBE™ PROTECTION BAR VEHICLE FRONTAL PROTECTION SYSTEM (VFPS) FOR AIR BAG & ADR COMPLIANT VEHICLES

Check installation hardware before commencing.

1. Remove bumper. Three plastic PK screw clips from underside front of bumper, two plastic PK screw clips from front of inner wheel arch(per side), one 10mm head bolt from rear of wing into guard (per side), ten plastic screw clips across top of bumper to radiator support. Carefully pull sides of bumper out and then forward to remove from clips in guard and under headlight (**See figure 1**). Swing lower edge of bumper forward and lift to remove.
2. Lay bumper skin face down on a soft cloth. Using long nose pliers, remove alligator clips from polystyrene infill. **See figure 2**. To remove, take alligator clip from short side and twist up.
3. Using inner measurement of steel mount, mark the grille for cut. Ensure marking is central to the grille and hole size is large enough in width to take ECB steel mount and alloy mount together. Cut height is through grille only. **DO NOT** cut into plastic bumper skin. **See figure 3**.
4. Remove fog light if fitted from the grille area by removing 5 screws from the back. If there is blanks fitted drill a 17mm hole through the top of each fog light blank.
5. On passenger's side, remove four 12mm head bolts from bumper support bracket. Slide steel mounting bracket (supplied) behind bumper support bracket. **See figure 4**. Refit bumper support bracket through steel mounting bracket using two M8 x 30mm bolts, flat washers and spring washers (supplied) to outside holes only. Repeat for driver's side.
6. Align steel mount brackets to vehicle using the inner measurement on the protection bar's alloy mounts, to the outside of the steel mounting brackets attached to vehicle.
7. Drill two 10mm holes (per side) using steel mounting brackets as a guide. One at front through bumper support bracket and other through lower radiator support, taking care not to hit intercooler (on turbo diesel vehicles). **See figure 5 and 6**. Hole in lower radiator support should come out on driver's side between bolts to hold lower mount of tow hook thread. Care must be taken on passenger's side to not hit vehicle wiring harness. **NOTE: All filings must be blown out and bare metal treated using paint or a rust inhibitor.**
8. Using 3/8 x 1 bolts and washers on 200mm wire, flat washers, spring washers and nuts (supplied), attach steel mounting brackets to bumper support bracket.
9. On driver's side, remove previously installed M8 x 30 bolts through bumper support bracket. Wedge bumper support away from vehicle to allow access to previously drilled hole. Enlarge hole using a die grinder or similar, to allow fitment of 17mm diameter x 30mm inner tube (supplied). **See figure 7**. **NOTE: All filings must be blown out and bare metal treated using paint or a rust inhibitor.** Install 3/8 x 2 1/2 bolt from inside of radiator support, inner tube from outer side. **See figure 8**. Refit bumper support ensuring inner tube stays behind steel mounting bracket. Repeat for other side.
10. Install inner M8 x 30 bolts, spring washers, flat washers and 3/8 flat washers (supplied) into bumper support. **TIGHTEN ALL BOLTS.**



**WORLD'S BEST
ALLOY BULLBARS**

East Coast Bullbars (ECB Pty Ltd)

Tel: 07 3897 5700

Fax: 07 3283 1168

ecb@ecb.com.au www.ecb.com.au

29 Snook St
Clontarf QLD 4019
Australia

Po Box 122
Margate QLD 4019
Australia

11. Disconnect indicator and parking lights on vehicle. Install ECB quick click wiring harnesses (supplied) between disconnected harness and indicator / park lights on vehicle. Run wiring out from under lights ensuring clearance from sharp edges and moving parts.
12. Refit bumper to vehicle as per reverse of step 1 except for attaching the bottom of the bumper to the underbelly guard and run wiring harness out of fog light holes. **NOTE: This is to allow easy access to the rear bottom bolt when attaching the protection bar.**
13. Fit LED indicator / park lights (supplied) into protection bar as per instructions supplied with the LED indicator kit. **NOTE: Ensure park light is to outside. See figure 9.**
14. Fit 6mm clip lock trim (supplied) to rear of protection bar. Trim underside of each end to allow top of clip lock to cover to end of protection bar. **See figures 10, 11 and 12.**
15. Fit protection bar to outside of steel mounting brackets. Use ½ x 1 ½ bolts, flat washers, spring washers and nuts (supplied). **FINGER TIGHTEN ONLY.**
16. Align protection bar with vehicle. **See figure 13** for front view and **figure 14** for side view. **TIGHTEN ALL BOLTS/NUTS.**
17. Refit bottom of the bumper onto the underbelly guard using the PK screw clips.
18. Connect lights and check for correct operation.
19. Neatly fit 6mm clip lock trim (supplied) outer holes in protection bar skirt. Place join to centre of inner flat edge for ease of fitment.

ENSURE NUMBER PLATE IS CLEARLY VISABLE

Note: When fitting/refitting the licence plate to the vehicle, ensure there is no obstruction to licence plate vision in accordance with local authorities. If required relocate licence plate to an alternate location.

Further VFPS Notes:

- a) Do not attach VFPS to the vehicle using anchorages not intended for this purpose (e.g. engine mounting bolts).
- b) Do not use this product for any vehicle make or model, other than those specified by the VFPS manufacturer.
- c) Do not remove the plaque or label from the VFPS.
- d) Do not modify the structure of the VFPS in any way.
- e) No accessory or fitment should project forward of the VFPS forward profile.
- f) **ENSURE THESE INSTRUCTIONS ARE LEFT WITH VEHICLE OWNER AND/OR OPERATOR.**

IMPORTANT INFORMATION

Periodically check bolts and nuts for correct tightness, especially if travelling on rough roads



East Coast Bullbars (ECB Pty Ltd)

Tel: 07 3897 5700

Fax: 07 3283 1168

ecb@ecb.com.au www.ecb.com.au

29 Snook St
Clontarf QLD 4019
Australia

Po Box 122
Margate QLD 4019
Australia

WORLD'S BEST
ALLOY BULLBARS

FITTING KIT: BHU71SY

2 – Steel mounting brackets	2 – 3/8 x 2 1/2 bolts
6 – 1/2 x 1 1/2 bolts	8 – 3/8 flat washers
12 – 1/2 flat washers	4 – 3/8 spring washers
6 – 1/2 spring washers	4 – 3/8 nuts
6 – 1/2 nuts	2 – 10 NB x 30mm spacer tube
8 – M8 x 1.25 x 30mm bolts	1 – LED Indicator / Park light kit.
8 – M8 flat washers	1 – Quick Click Indi / Park kit (IC08ILOECB100H)
8 – M8 spring washers	1 – 2200mm length 6mm clip lock trim
2 – 3/8 x 1 bolts and washers on 200mm wire	2 – 700mm length 6mm clip lock trim



Figure 1: Clips on top edge of bumper to guard and headlight

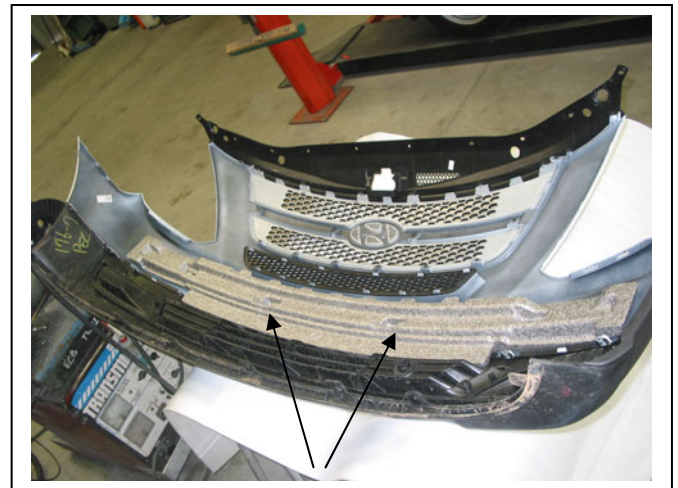


Figure 2: Polystyrene infill in bumper cover



Figure 3: Grille cut out
17mm cutout in blank



Figure 4: Steel mounting bracket being placed
behind bumper support. Drivers's side shown.



East Coast Bullbars (ECB Pty Ltd)

Tel: 07 3897 5700

Fax: 07 3283 1168

ecb@ecb.com.au www.ecb.com.au

WORLD'S BEST
ALLOY BULLBARS

29 Snook St
Clontarf QLD 4019
Australia

Po Box 122
Margate QLD 4019
Australia

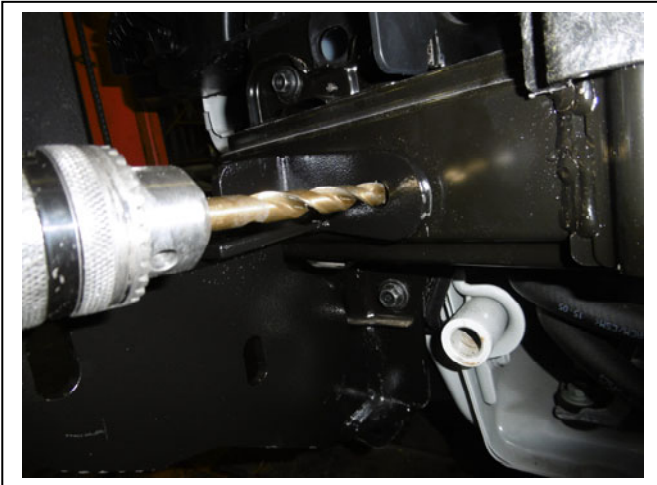


Figure 5: Drill hole in bumper support using steel mounting bracket as a guide.



Figure 6: Drill hole in radiator support using steel mounting bracket as a guide.



Figure 7: Enlarge hole in radiator support using a die grinder.



Figure 8: Place bolts through from inside of radiator support.

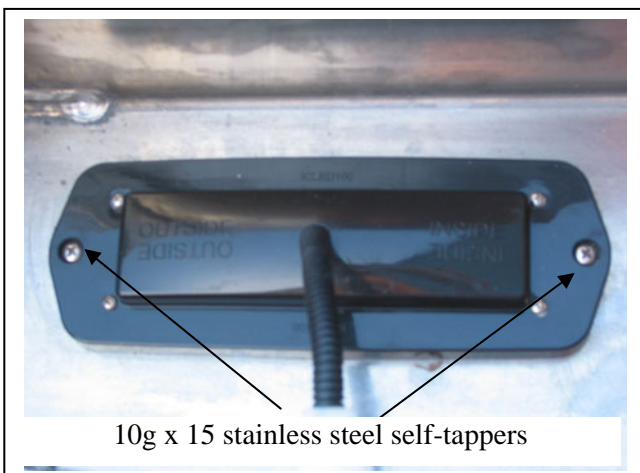


Figure 9

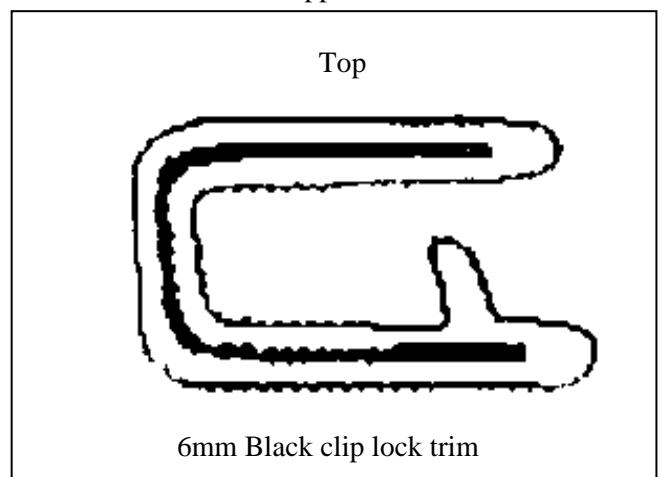


Figure 10



East Coast Bullbars (ECB Pty Ltd)

Tel: 07 3897 5700

Fax: 07 3283 1168

ecb@ecb.com.au www.ecb.com.au

WORLD'S BEST
ALLOY BULLBARS

29 Snook St
Clontarf QLD 4019
Australia

Po Box 122
Margate QLD 4019
Australia

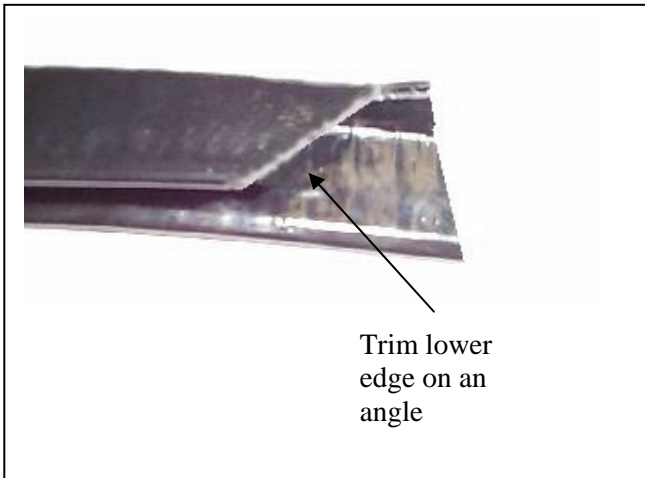


Figure 11

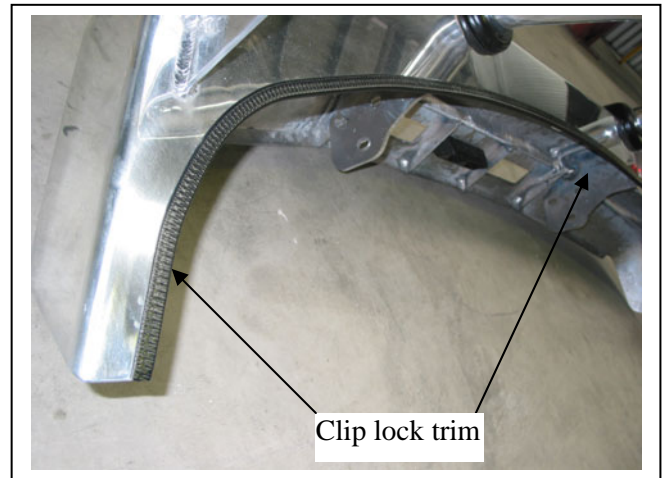


Figure 12



Figure 13: Front view



Figure 14: Side view



**WORLD'S BEST
ALLOY BULLBARS**

East Coast Bullbars (ECB Pty Ltd)

Tel: 07 3897 5700

Fax: 07 3283 1168

ecb@ecb.com.au www.ecb.com.au

29 Snook St
Clontarf QLD 4019
Australia

Po Box 122
Margate QLD 4019
Australia

We value your comments

Dear Fitter,

ECB would like to know how you went with the installation of this product. We value your comment and may need to contact you to clarify some details so please complete your contact details clearly.

We would appreciate if you could complete as many of the following details as possible.

Your Name:	Your contact No.
Product Part No.	Product Invoice No.
Product Description:	Make, model, and year of vehicle:
Product Work Order No.	Company your from/Company product purchased from:

Date of Fitment: ____/____/____

Was the fitting hardware supplied complete?

Yes

No

If no what was not supplied

Did the installation go well?

Yes

No

Please provide comments

Please draw diagrams if you need to.

Post to
Reply Paid 122
PO Box 122
Margate QLD 4019

Fax to
(07) 3283 1168



WORLD'S BEST
ALLOY BULLBARS

East Coast Bullbars (ECB Pty Ltd)

Tel: 07 3897 5700

Fax: 07 3283 1168

ecb@ecb.com.au www.ecb.com.au

29 Snook St
Clontarf QLD 4019
Australia

Po Box 122
Margate QLD 4019
Australia

DESPATCH CHECKLIST BHU71SY

Work Order #	
Finish:	
Transport:	
Due Date:	

- OC... 2 – Steel mounting brackets.
- BK... 1 – Bolt Kit
- BK... 1 – LED Indicator / Park lights kit.
- BK... 1 – Quick Click Indi / Park kit (IC08ILOECB10)
- BK... 1 – 2200mm length 6mm clip lock trim
- BK... 2 – 700mm lengths 6mm clip lock trim
- OC... 3 – 6mm air scoops – **Fitted to bar**
- BK... 2 – fog light surrounds
- OC... 1 – Pair ECB overrides - **Fitted to bar**

**See other side of
this page for
photos of all
mounts**



Is this product “the best it can be” Yes _____ / _____
Wrapper’s initials / Checker initials

If **NO** fix before continuing

All parts checked and completed by:

Nut and bolts: _____ Date __/__/__

Order control: _____ Date __/__/__

Final wrap check: _____ Date __/__/__



East Coast Bullbars (ECB Pty Ltd)

Tel: 07 3897 5700

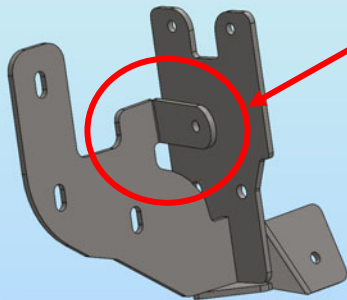
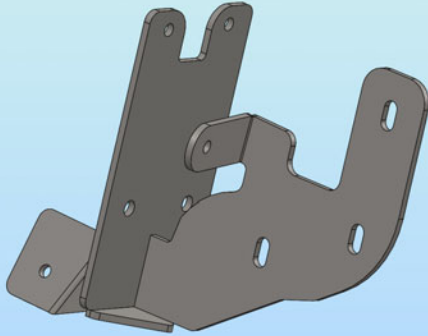
Fax: 07 3283 1168

ecb@ecb.com.au www.ecb.com.au

WORLD'S BEST
ALLOY BULLBARS

29 Snook St
Clontarf QLD 4019
Australia

Po Box 122
Margate QLD 4019
Australia



**Check Area for
BHU70SY and
BHU71SY**